

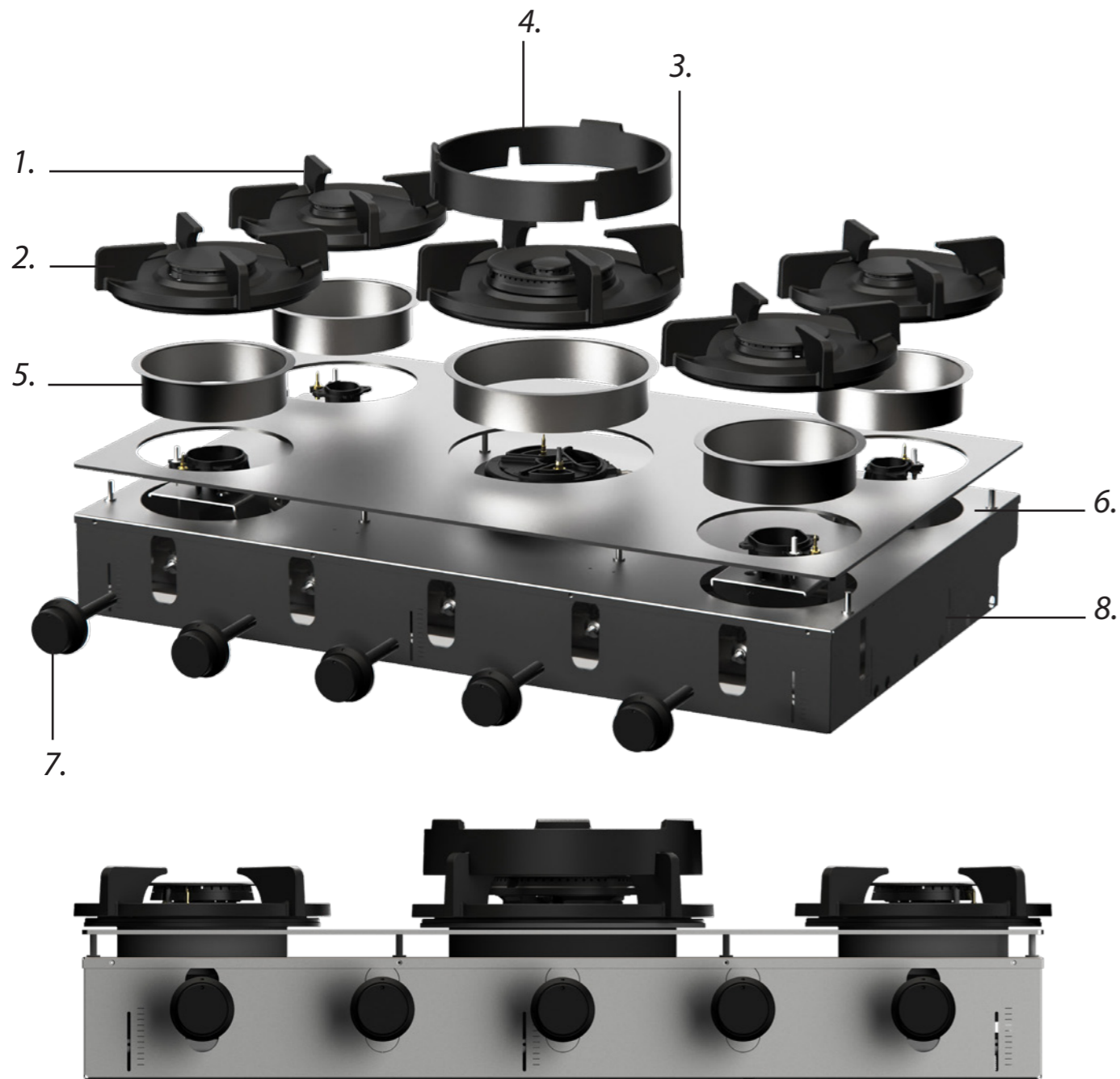
*Made in Holland*

**PITT**  
COOKING



**Gas**  
*Elbrus*  
*Front Side*

## Exploded view



1. **Small burner**  
ENAMELED CAST IRON

2. **Medium burner**  
ENAMELED CAST IRON

3. **Wok-/simmer burner**  
ENAMELED CAST IRON

4. **Wok ring**  
ENAMELED CAST IRON

5. **Flange**  
STEEL

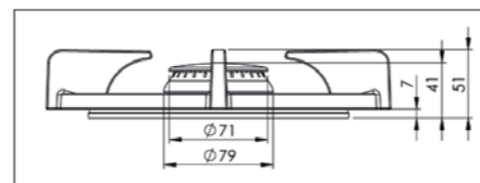
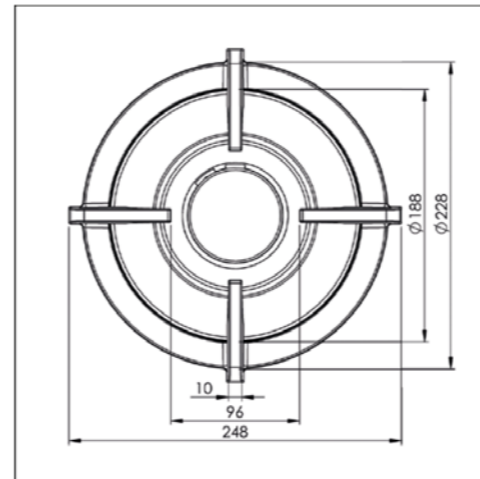
6. **Heat conductor**  
ALUMINIUM

7. **Control knob**  
ANODISED ALUMINIUM

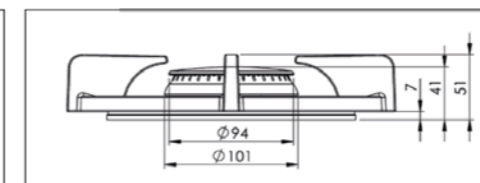
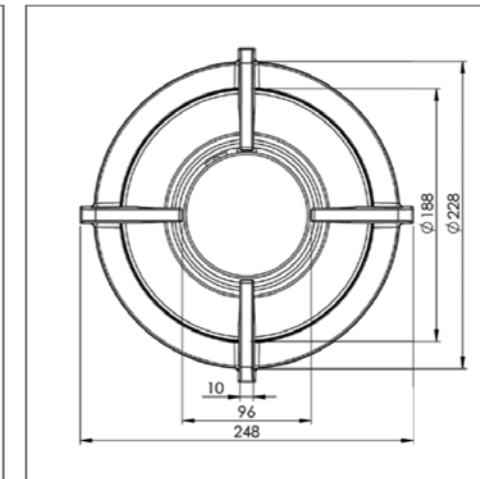
8. **Cassette unit**  
GALVANIZED STEEL

## Burners

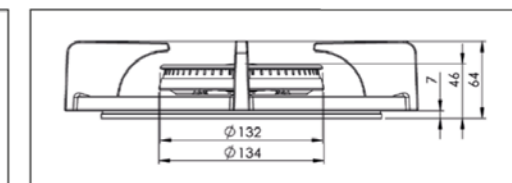
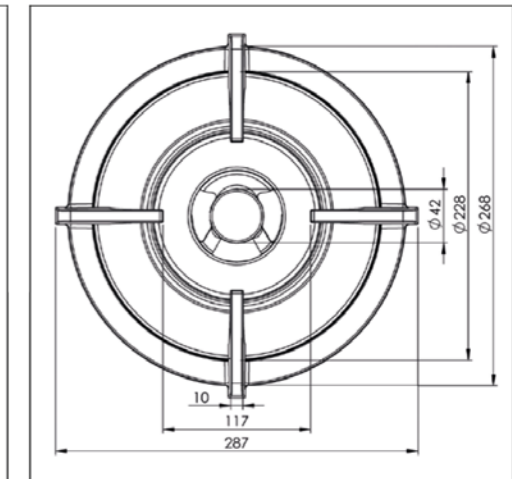
Small burner



Medium burner



Wok-/simmer burner



### SMALL BURNERS

MIN. POWER  
**0,3 kW**

MAX. POWER  
**2 kW**

DIAM. BURNER  
**Ø 230 mm**

### MEDIUM BURNERS

MIN. POWER  
**0,3 kW**

MAX. POWER  
**3 kW**

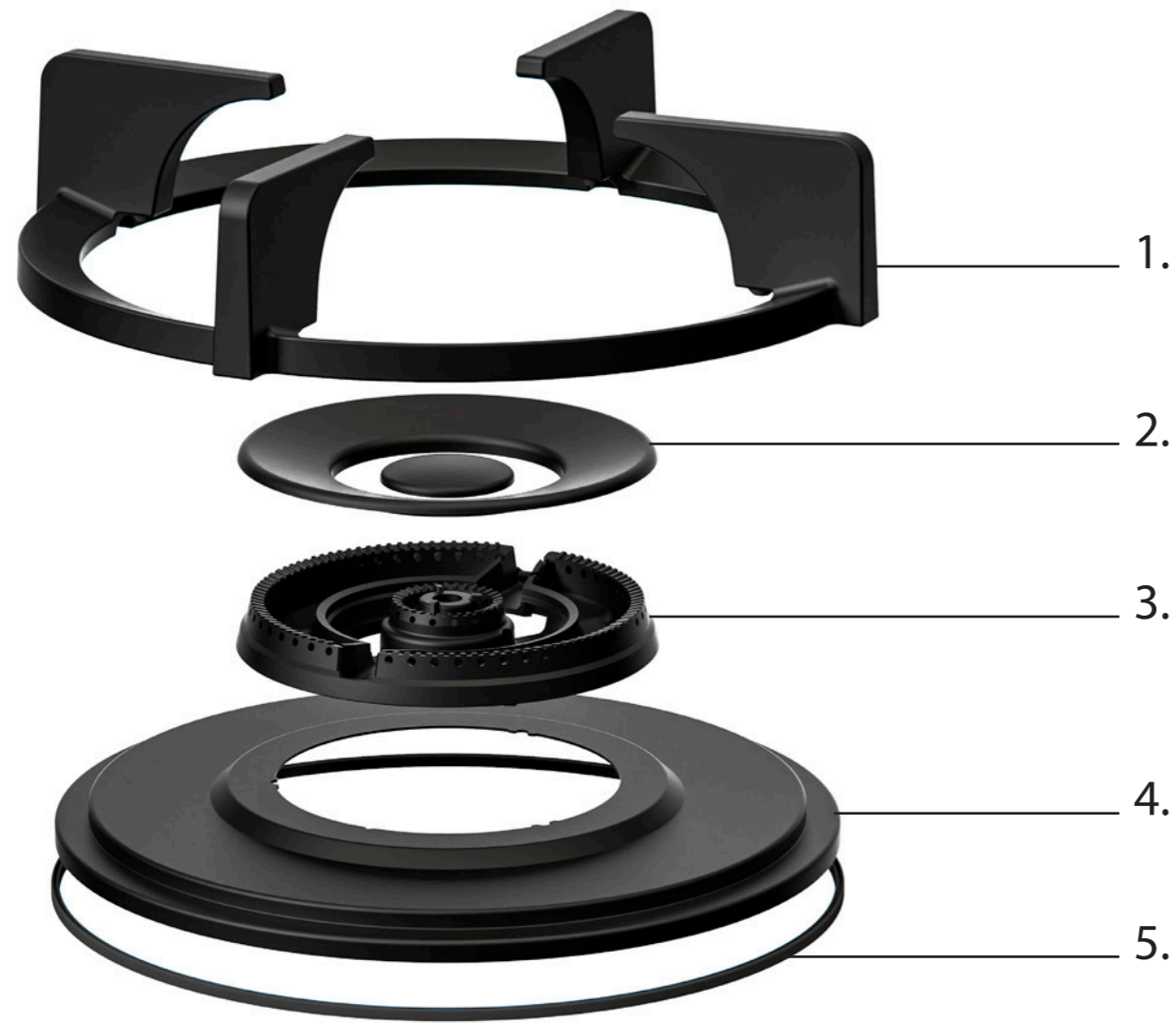
DIAM. BURNER  
**Ø 230 mm**

### WOK-/SIMMER BURNER

MIN. POWER  
**0,2 kW**

MAX. POWER  
**5 kW**

DIAM. BURNER  
**Ø 270 mm**



1. **Pan support**  
ENAMELED CAST IRON

2. **Burner caps**  
ENAMELED CAST IRON

3. **Flame spreader**  
(COATED BRASS)

4. **Heat shield**  
ENAMELED STEEL

5. **Silicone ring**  
SILICONE

**Professional edition**  
HEAVY BRASS BURNERS.  
FOR THOSE WHO WANT TO COOK IN STYLE

**Black edition**  
HEAVY BRASS BURNERS.  
BLACK BURNERS WITH A BLACK SURFACE.  
STYLISH AND REFINED.



SMALL BURNER



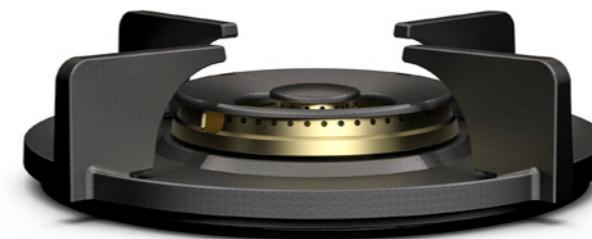
SMALL BURNER



MEDIUM BURNER



MEDIUM BURNER



WOK-/SIMMER BURNER



WOK-/SIMMER BURNER

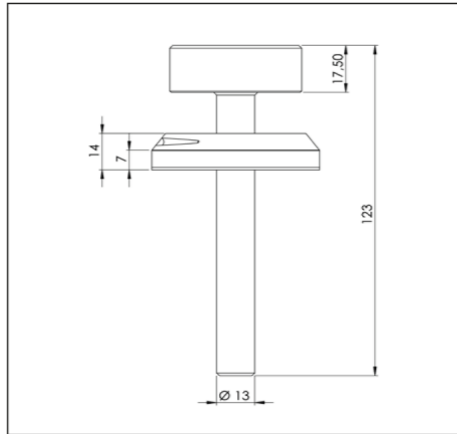
## Control knob Front Side

## Template dimensions

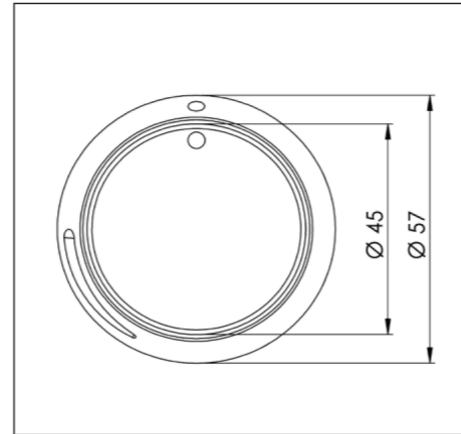
3D-image Front Side knob



Front view Front Side knob



Top view Front Side knob



1. Determine the height of the countertop's front edge.  
(Minimum height: 100 mm)
2. Determine the distance between the center of control knob and the top of the countertop.  
(Minimum height: 50 mm / Maximum height: 100 mm)
3. Determine the thickness of the countertop  
(Minimum thickness: 4 mm / Maximum thickness: 25 mm)

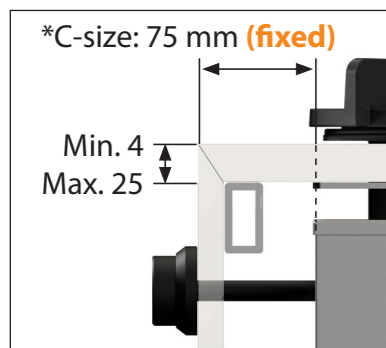
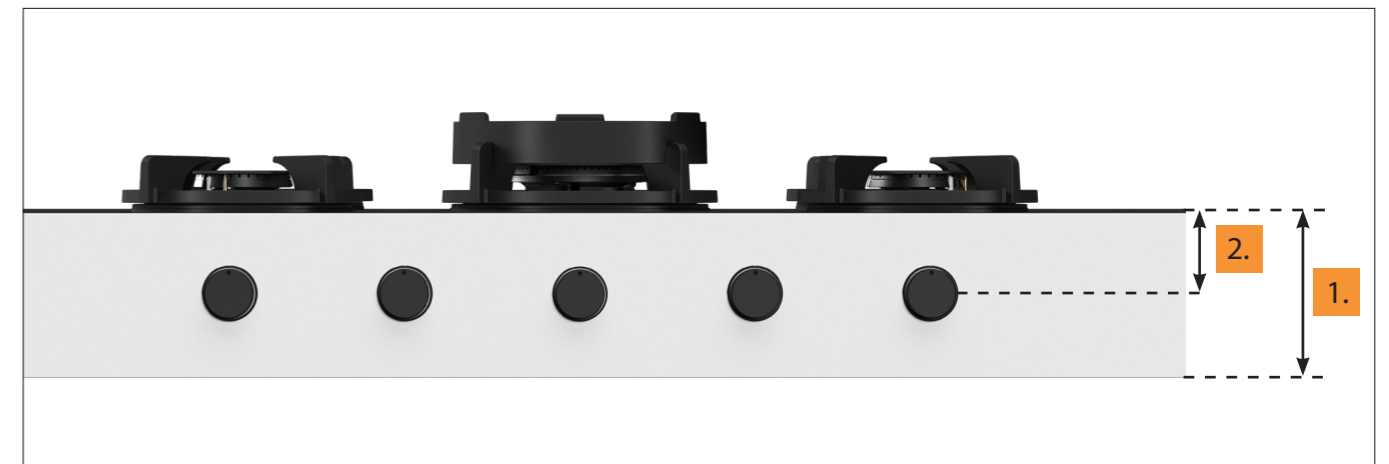
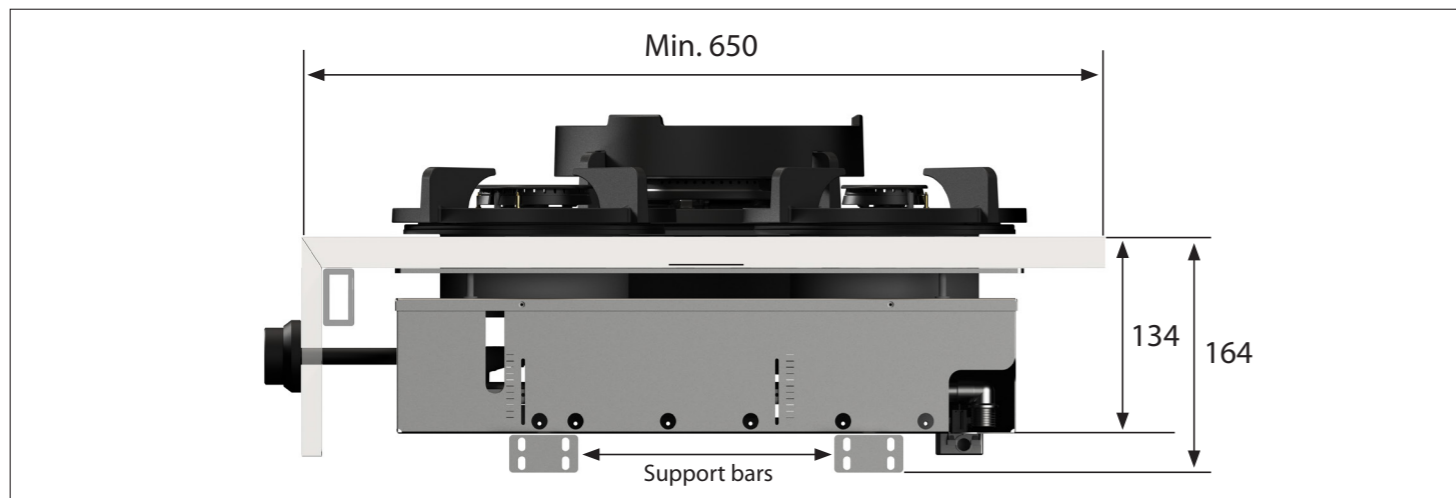
1. mm

2. mm

3. mm

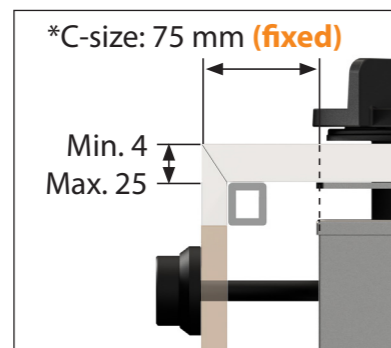
**\*WARNING: C-size (75 mm) is a fixed size.**

\*C-Size: 75 mm



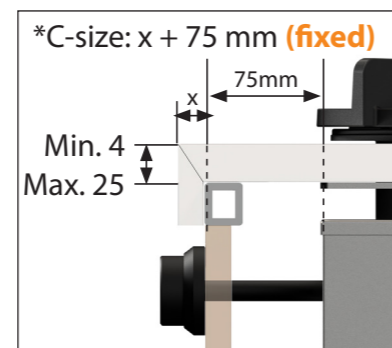
\*C-size: 75 mm (fixed)

Min. 4  
Max. 25



\*C-size: 75 mm (fixed)

Min. 4  
Max. 25

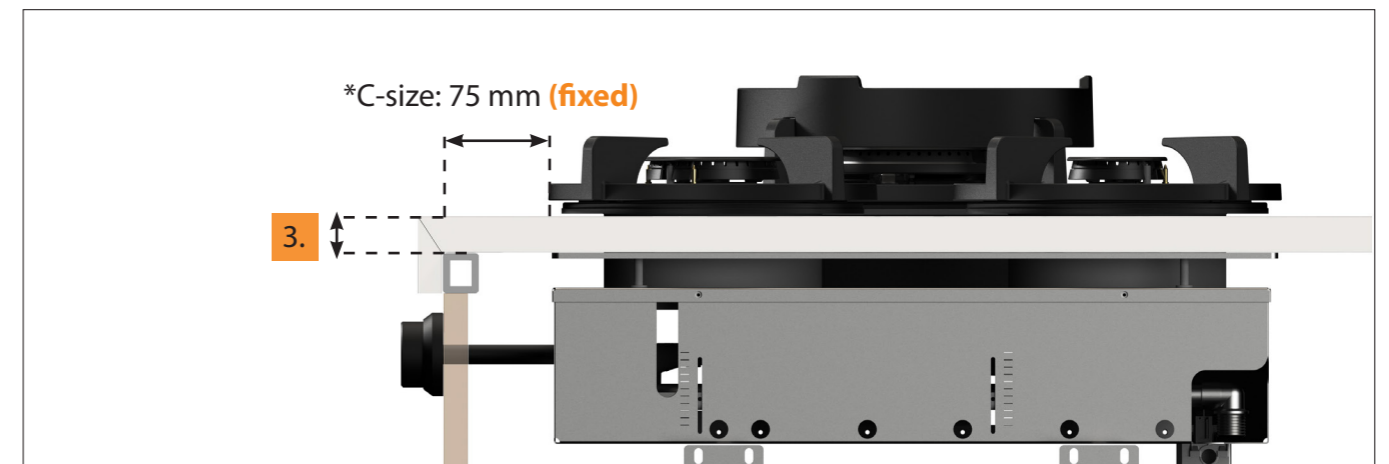


\*C-size: x + 75 mm (fixed)

Min. 4  
Max. 25



**Warning! \*C-Size is a fixed size**



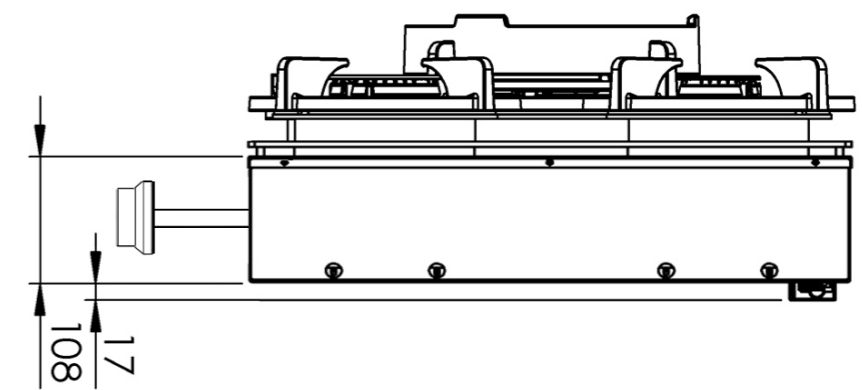
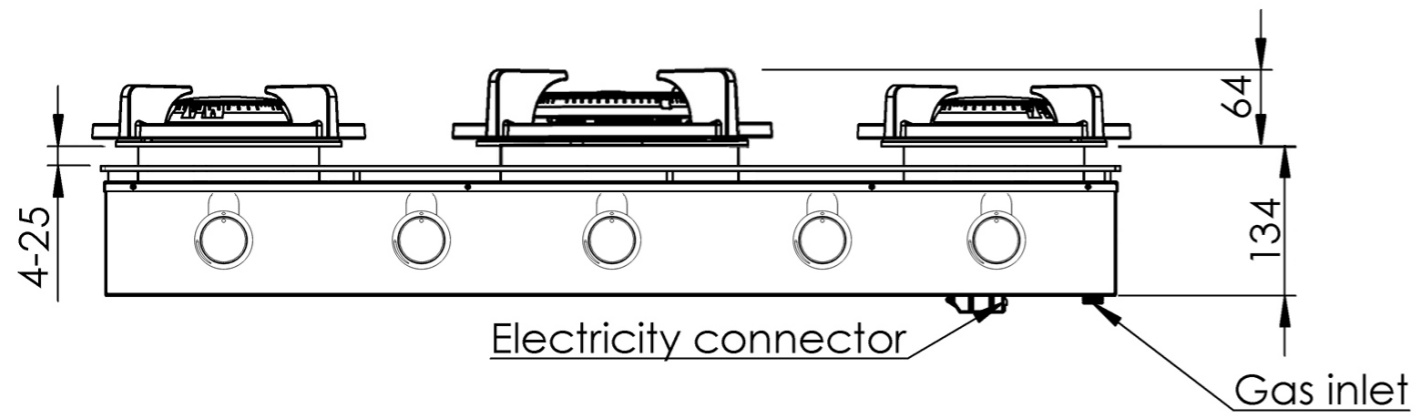
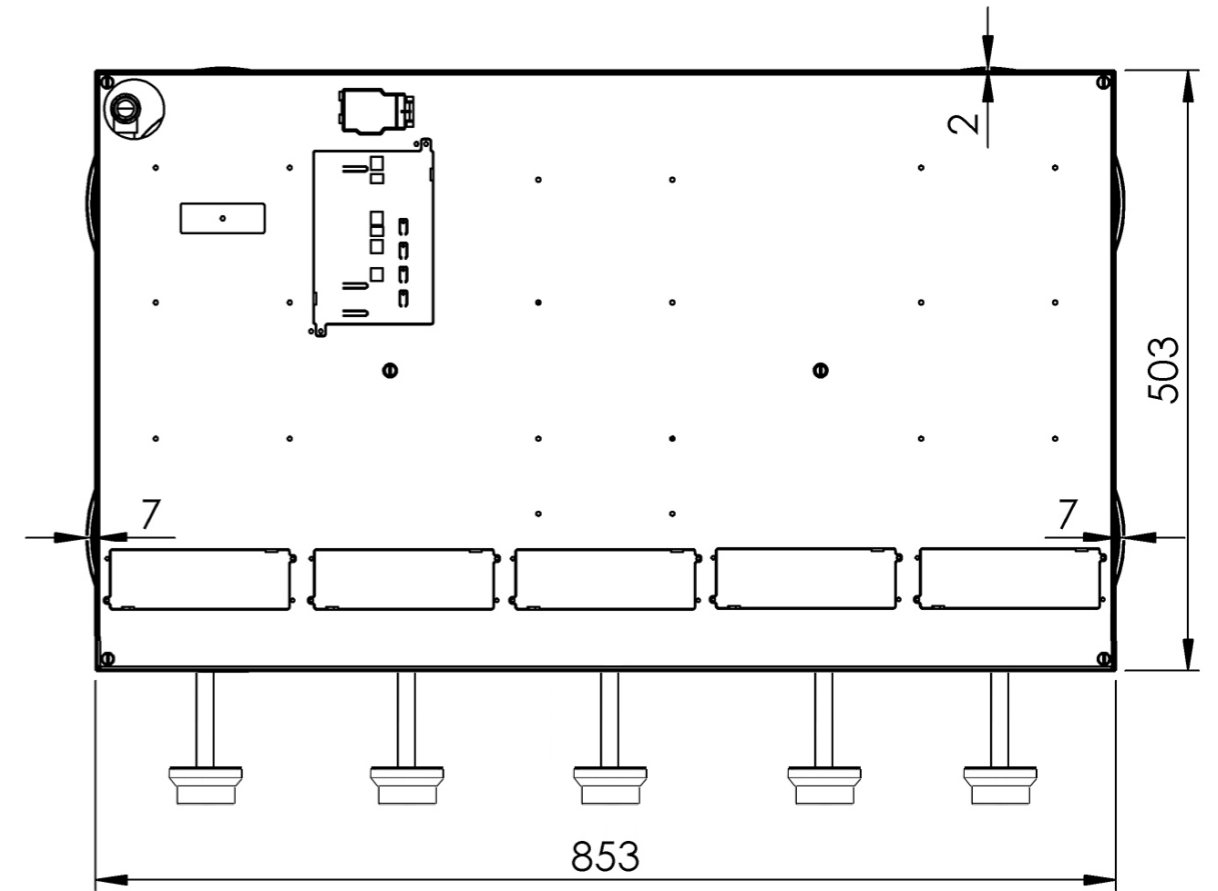
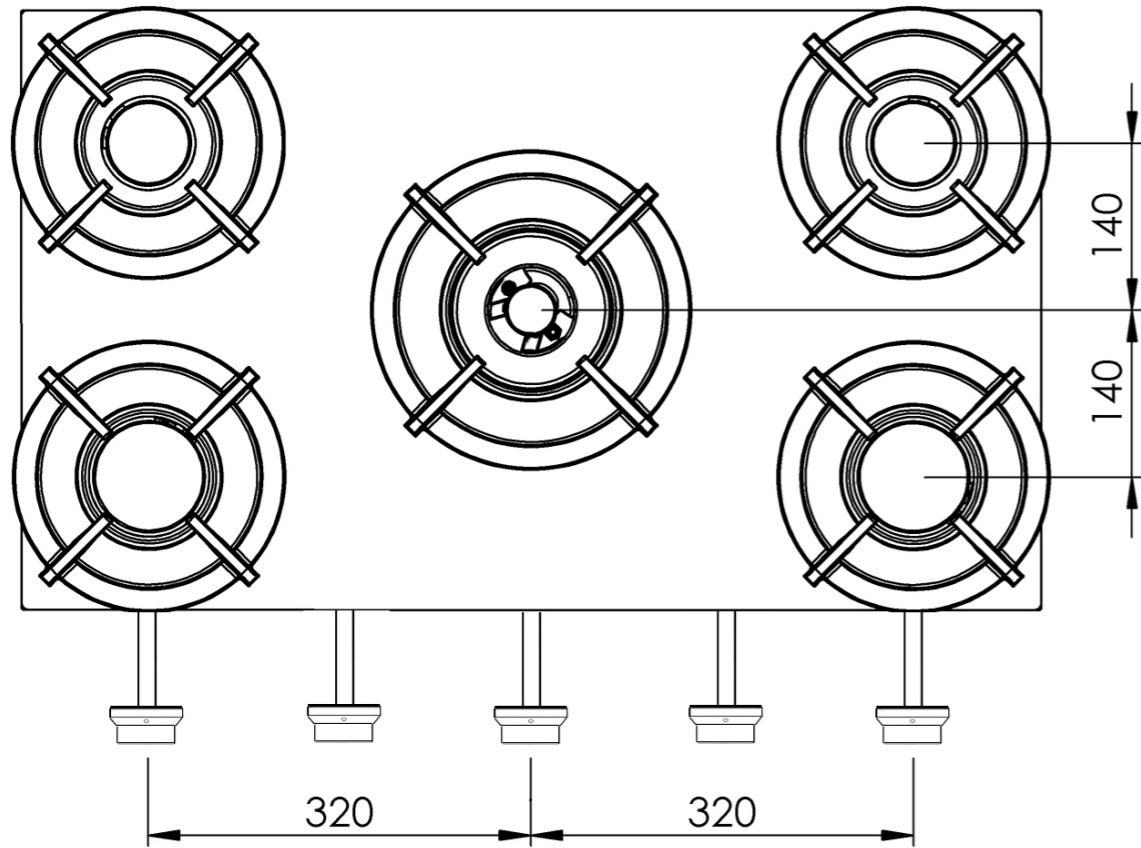
### Important

- Minimal countertop depth: 650 mm
- Total height PITT unit incl. support bar set: 164mm
- Countertop thickness: 4-25 mm
- \*C-size is a **fixed** size

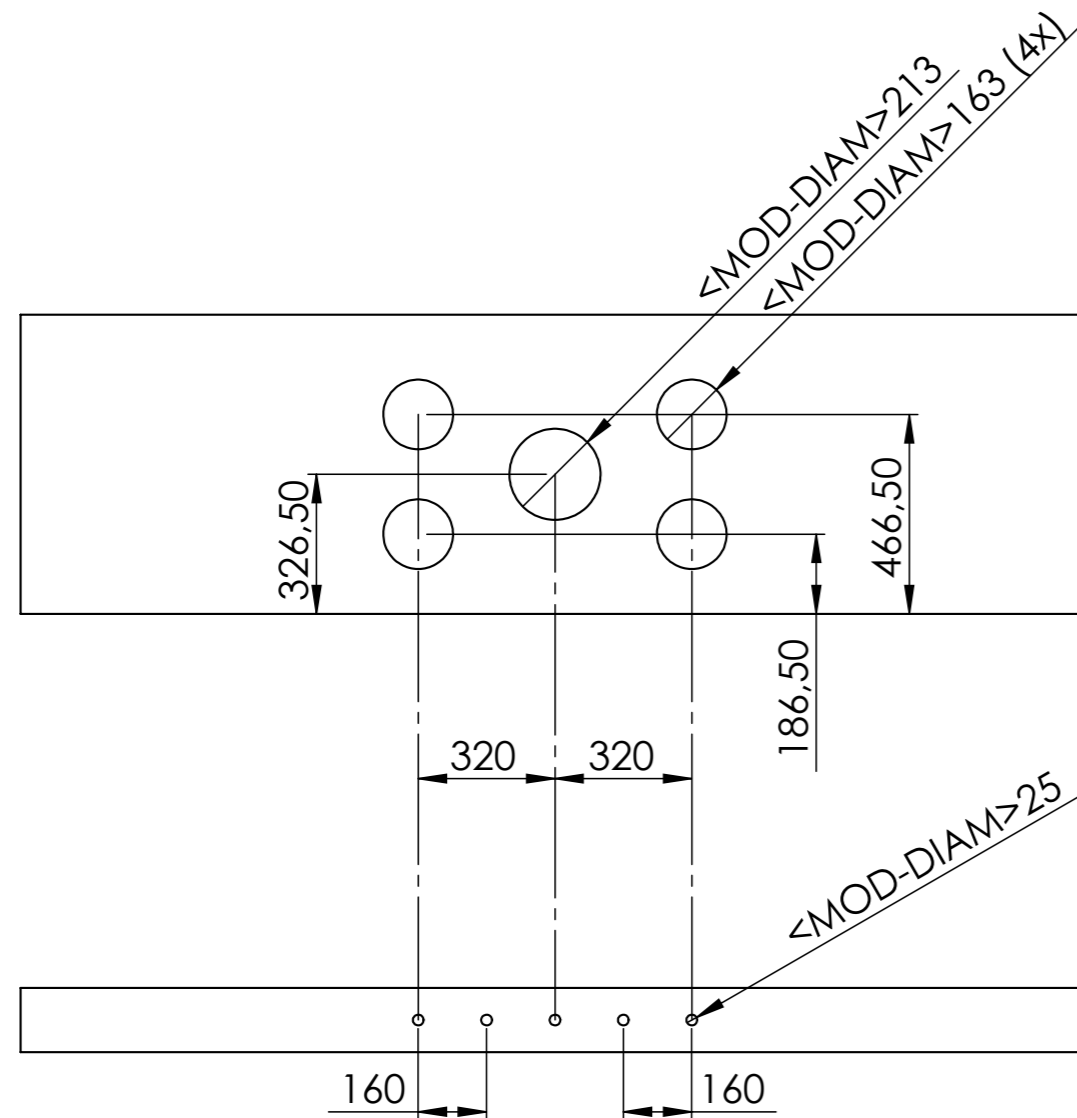


Template dimensions -  
Front Side control knob gas

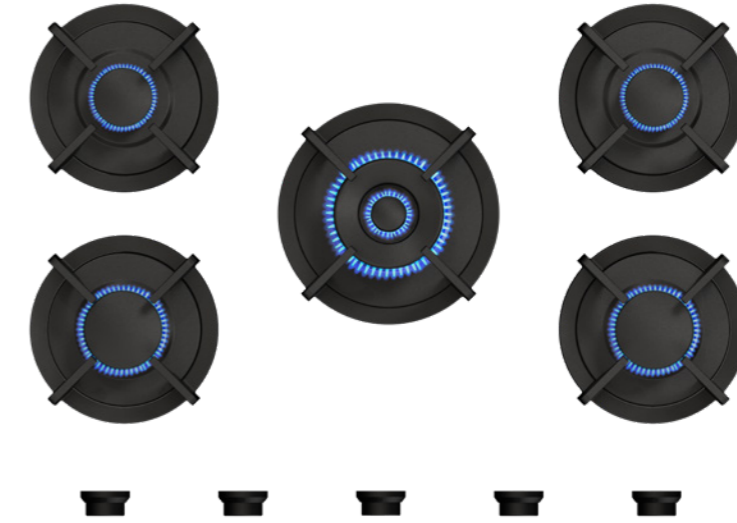
This file must be completed and included with the purchase order. Scan the QR code for the file or visit the download page on our website.



## Hole pattern



## Technical specifications



Model	Elbrus Front Side
Type of burners	2x burner small (0,3 - 2 kW) 2x burner medium (0,3 - 3 kW) 1x wok-/simmer burners (0,2 - 5 kW)
Editions	Professional (brass) Black (full black)
The controls	Front Side
Module dimensions (LxWxH)	503 x 853 x 134 mm
Automatic spark ignition	✓
Flame protection	✓
Weight	29,5 kg
Wok ring	✓

### Gas & Electricity

Type of gas suitable	Natural gas, LPG (Bottled gas)
Type of gas connection	½" external threads
Position gas connection	Top corner, right
Voltage	220V-110V (default) / 1,5V (battery)
Cord length	1500 mm / 591/16"



Installation and handling instructions gas



Installation manual Front Side gas



User manual gas